



⚡ 3 kW Electrical heat

Length: 0.6 metres

CE

## Door heater PA1006

### For increased comfort inside the door

#### Application

PA1006 is a compact door heater which heats the incoming air and gives increased comfort on the inside. When wall mounted, the unit can act as a stationary fan heater.

#### Comfort

The cold incoming air is heated by the door heater and a good level of comfort heat is obtained inside the door. The bracket included in delivery makes it possible to angle the unit 30° out from the wall, which gives an even heat distribution in the premises.

#### Operation and economy

The door heater is easy to use and is controlled by a switch located on the unit.

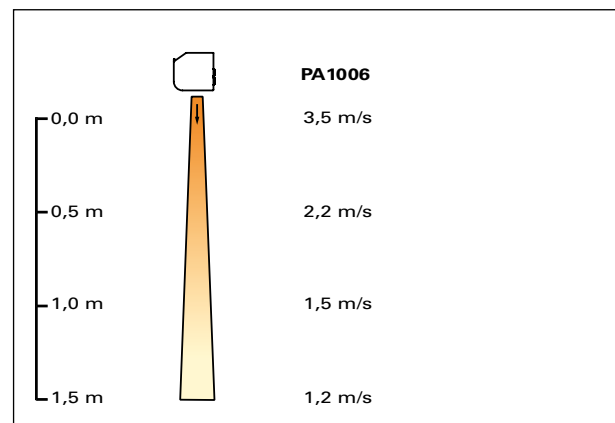
#### Design

The door heater has a clean, straight forward design. As the air inlet is placed on top of the unit the front of the unit is kept free of dirt and dust.

#### Product specifications

- Compact and easy to position.
- Low sound level.
- The unit is easily angled on the bracket, which is used for both wall and ceiling mounting.
- Integrated control.
- Corrosion proof housing made of hot zinc-plated and powder lacquered steel panels. Colour front: RAL 9016, NCS 0500 (white). Colour grille, rear section and ends: RAL 9005 (black).

#### Air velocity profile



**Technical specifications** | Thermozone PA 1006, door heater ⚡

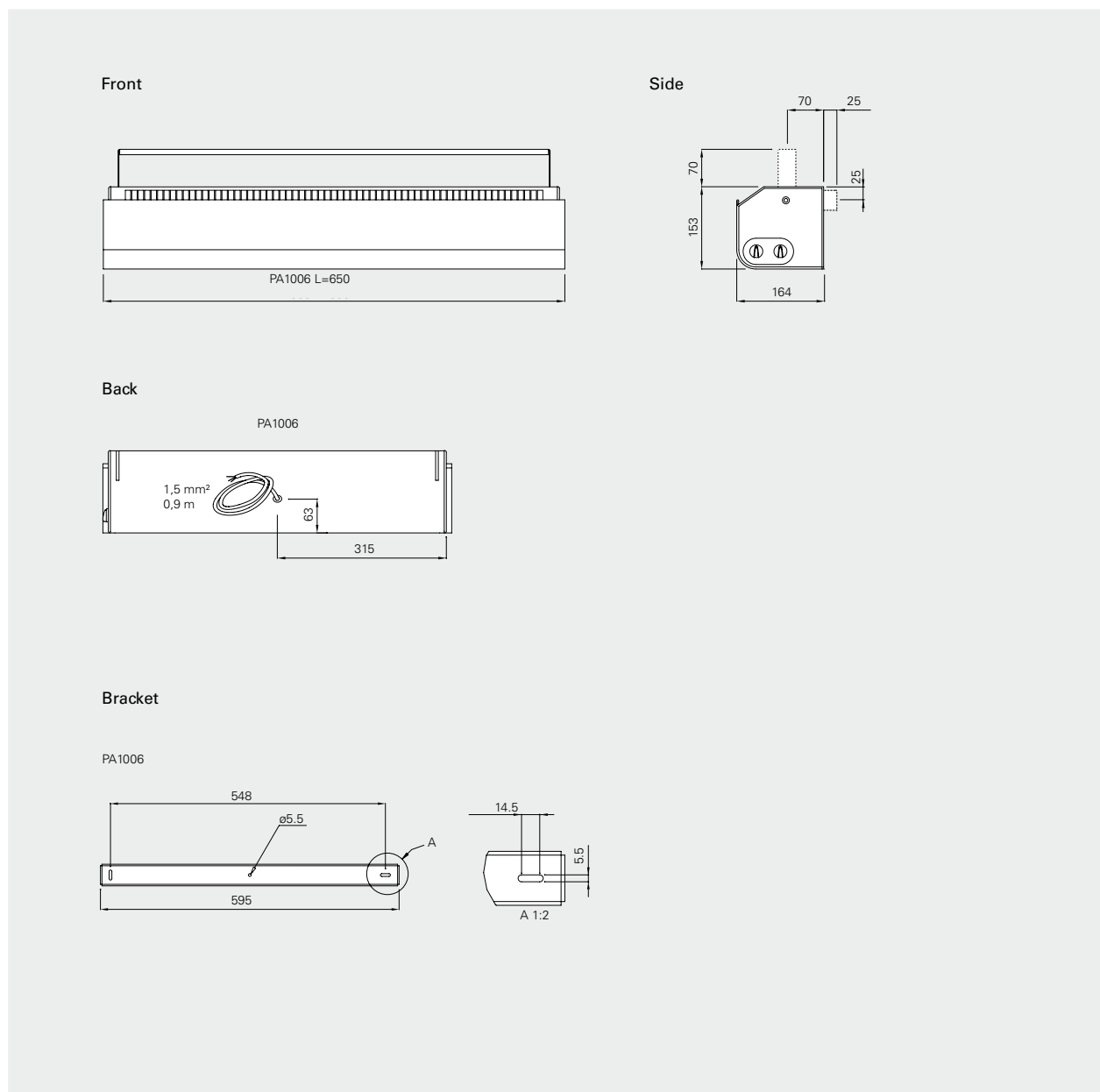
Type	Output [kW]	Airflow [m³/h]	$\Delta t^{*1}$ [°C]	Sound level <sup>*2</sup> [dB(A)]	Voltage [V]	Amperage [A]	Length [mm]	Weight [kg]
PA1006E03	0/1,5/3	230	39	44	240V~	12,8	650	5,3

\*1)  $\Delta t$  = temperature rise of passing air at maximum heat output.

\*2) Conditions: Distance to the unit 5 metres. Directional factor: 2. Equivalent absorption area: 200 m².

Protection class: IP20.  
CE compliant.

**Dimensions**



## Door heater PA1006

### Mounting and connection

#### Mounting

The unit is installed horizontally with the supply air grille facing downwards. Position as close to the opening as possible for the best effect.

The unit can be angled using the enclosed bracket, which is used for both wall and ceiling mounting. When mounted on the wall it is possible to angle the heater up to 30° to give even heat distribution in the room.

#### Connection

The unit is designed for permanent installation and is connected via cable (1,5 mm<sup>2</sup>) without plug at the rear of the unit.

#### Controls

The door heater has an integrated selector for the fan and heating.

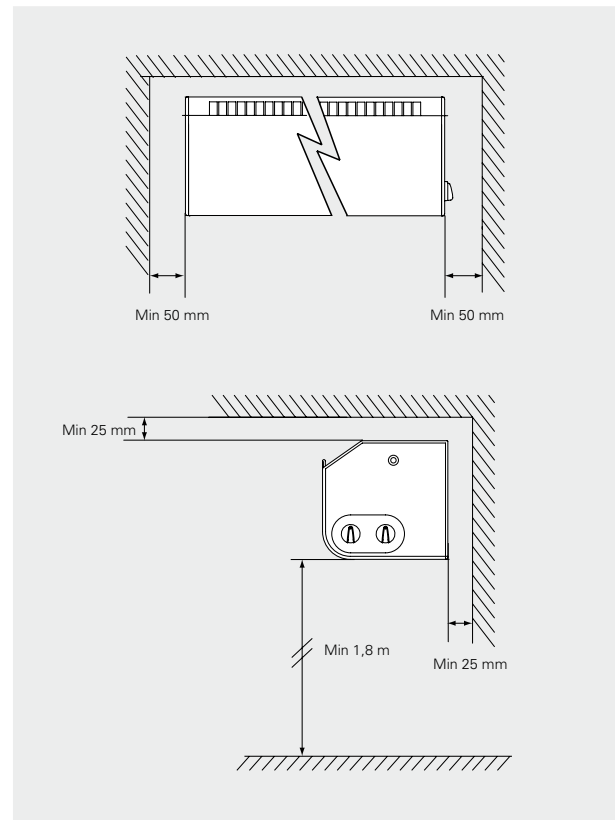
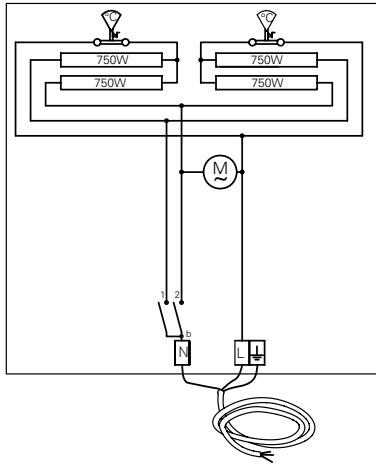


Fig 1. Minimum distances.

Wiring diagrams

PA1006E03



				b
			1	2
0	OFF	0		
1	☒+ 1.5kW	☐	○	○
2	☒+ 3kW	☐	○	○