

⚡ 1000 – 1500 W Electrical heat

4 models



Halogen infrared heater IH

Suitable for exposed outdoor environments with design demands

Application

Halogen infrared heater IH is the perfect choice for exposed outdoor environments where design is important, for example, balconies, pavement cafés, etc. IH can also be used as local heating in large premises such as churches, industries and warehouses. IH is available in two different designs. IHW gives a comfortable heat in the occupied zone from close range and also wider heat distribution. IHF has more direct heat distribution and is designed to be installed higher up.

Comfort

Radiant heaters give an intense, comfortable heat and prolongs the summer season. No moving parts mean a silent system that does not cause air movement or the spreading of dust and other particles.

Operation and economy

Radiant heaters give instant heat, are simple and flexible to install and require minimum maintenance. People and objects are heated but not the surrounding air, which makes radiant heaters very efficient. This is especially effective outdoors. A radiant heater is also more energy efficient, safer and cleaner than a gaspowered heater.

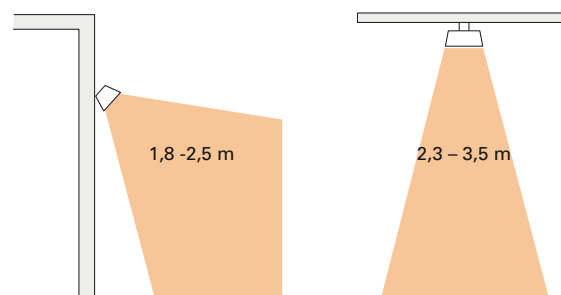
Design

IH is easy to position thanks to its compact design. The discreet and appealing look makes it suitable for outdoor environments with design demands.

Product specifications

- IH is available in two versions:
 - **IHW** provides wide heat distribution, recommended installation height 1.8 – 2.5 m.
 - **IHF** provides directed heat distribution, recommended installation height 2.3 – 3.5 m.
- IH consists of a halogen lamp with a very high intensity and a highly-polished reflector for optimum heat distribution.
- Gives 10-15 % higher efficiency than a glass fronted heater of the same enclosure.
- Bracket for wall mounting. Can also be suspended from the ceiling or mounted on e.g. a parasol or a post. Other mounting alternatives are available as accessories.
- Equipped with a 0.9 metre cord with plug for connection to an earthed outlet socket.
- Casing in anodised aluminium, grille in Nickel/Chrome plating, end caps in powder-coated light-alloy metal. Colour: RAL 9006.

Installation height



Design and specifications are subject to change without notice.

Halogen infrared heater IH



Thanks to a high temperature of 2200 °C and the adapted reflector, IH is extremely efficient and provides a comfortable heat.



The IHW10 heater, with the lowest output and a reflector for wide heat distribution, is ideal for mounting under a parasol or an awning.

Halogen infrared heater IH

Technical specifications | Infrared heater IHW with wide heat distribution, installation height 1.8 – 2.5 m ⚡

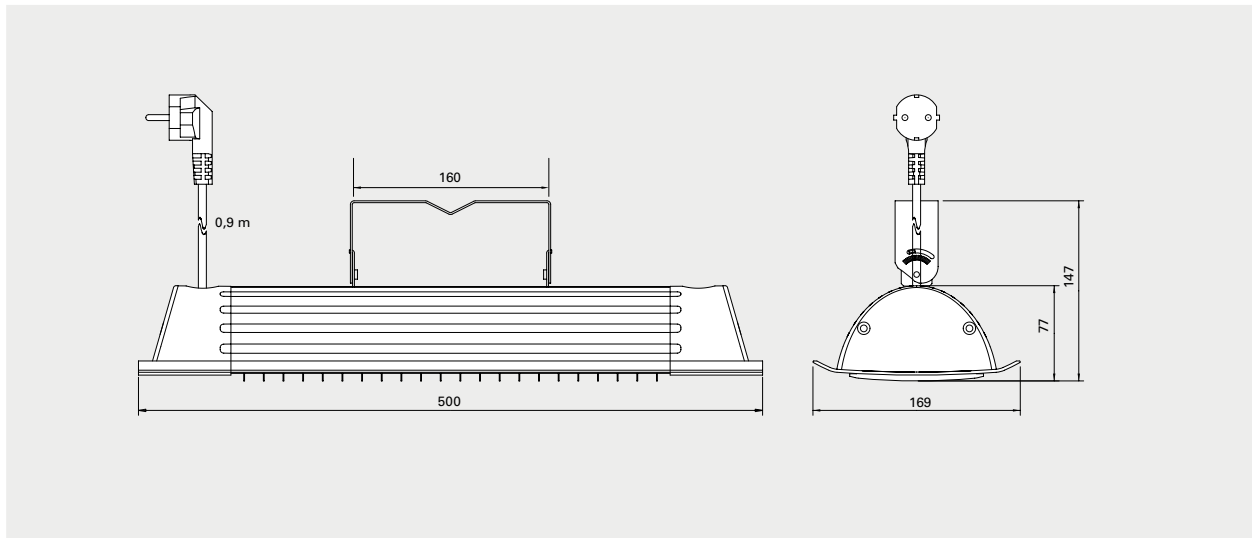
Type	Heat output [W]	Voltage [V]	Amperage [A]	Max. filament temperature [°C]	Dimensions LxHxW [mm]	Weight [kg]
IHW10	1000	230V~	4.3	2200	500x77x169	1.9
IHW15	1500	230V~	6.5	2200	500x77x169	1.9

Technical specifications | Infrared heater IHF with directed heat distribution, installation height 2.3 – 3.5 m ⚡

Type	Heat output [W]	Voltage [V]	Amperage [A]	Max. filament temperature [°C]	Dimensions LxHxW [mm]	Weight [kg]
IHF10	1000	230V~	4.3	2200	500x77x169	1.9
IHF15	1500	230V~	6.5	2200	500x77x169	1.9

Protection class: IPX4.
CE compliant.

Dimensions



Positioning, mounting and installation

Positioning

The heaters must be placed so that they enclose the area to be heated, see fig. 1. The normal assembly height is 2–3 metres above the ground/floor. A rule of thumb for infrared halogen is that 600–800 W/m² increases the experienced temperature by about 10 °C. The output demand can be reduced if the area to be heated is protected. If the area only has a roof, at least 800 W/m² should be installed. 600 W/m² is sufficient if the area has three walls. For enclosed areas, the output demand must be calculated. Optimum comfort is achieved if the heat is distributed from at least two directions.

Mounting

IH is mounted on the wall using the bracket, see fig. 3. The heater can also be mounted on e.g. a parasol or a post, a suitable U-bolt (not included) is used for this together with the supplied console. IH can also be suspended from the ceiling. For other mounting alternatives, see accessories.

The heater must be mounted in a horizontal position in order to keep the lamp horizontal. The heater can be directed straight out from the wall or angled up to 45°. For minimum measurements, see fig. 2.

Connection

IH is equipped with a 0.9 metre cord with plug for connection to an earthed outlet socket.

Control options

Timer control

The timer can be set to a desired time. If the current load exceeds the timer's setting range or if you want to control a larger system, a contactor can be used.

- CBT, electronic timer

For further options, see section on thermostats and controls or contact Frico.

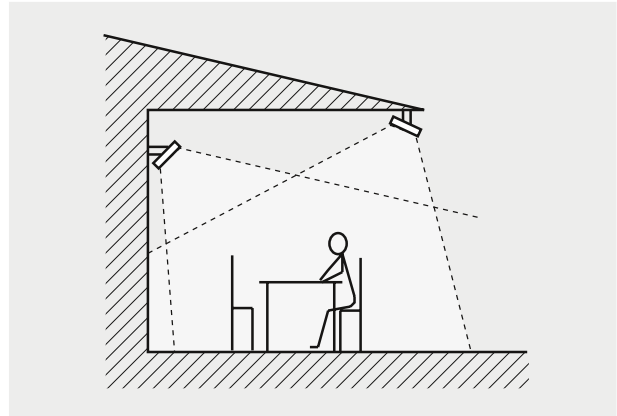


Fig. 1: The heaters should heat from at least two directions for even heating.

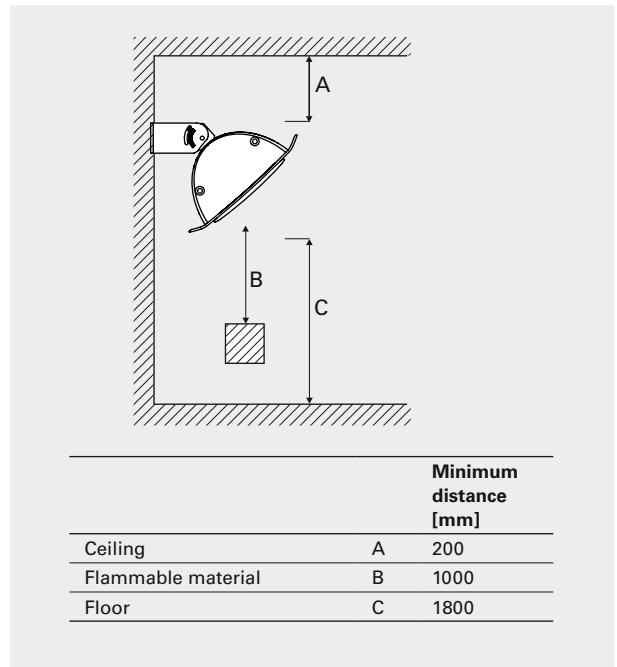


Fig. 2: Minimum distance for fixed installation.

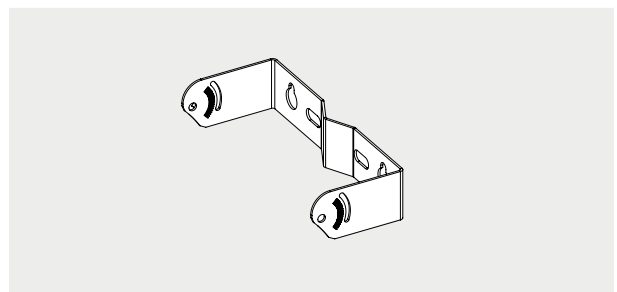


Fig. 3: Wall bracket

Halogen infrared heater IH

Accessories

IHUB, universal bracket

A bracket that makes it easy to even angle IH sideways. The bracket also allows mounting on, for example, a windbreak when the clamping screw is used.

IHXH, drooping extension bracket for high level mounting

Used to install IH at high level, such as above a window. IHUB universal bracket included.

IHXL, arching extension bracket for low level mounting

Used to install IH at low level, such as on a windbreak. IHUB universal bracket included.

IHT, triple bracket

Three IH units can be mounted on the IHT bracket to provide heat in all directions. Can be suspended from the ceiling by three wires or mounted on an IHP post.

IHTW, wire kit

Set of three bright galvanized wires for easy hanging of IHT.

IHP, post for freestanding installation

Post to stand IH on the floor. IHP has a fixed length of 2.3 m and can be cut to desired length. The IHT triple bracket can be attached to provide heat in all directions. IH can also be mounted directly on the post using a standard bracket and a U-bolt.

IHL, extra lamp

The heat lamp in IH is of the highest quality with a long service life unless it is subjected to unnormal mechanical strains in the form of vibrations and impacts. The life of the lamp will also depend, among other things, on the ambient temperature and its position.

Controls and accessories

Type	Description
CBT	Electronic timer
IHUB	Universal bracket for IH
IHXH	Extension bracket for high level mounting
IHXL	Extension bracket for low level mounting
IHT	Triple bracket
IHTW	Wire kit (3 wires) for IHT
IHP	Post for freestanding installation
IHL1000	Halogen lamp 1000W
IHL1500	Halogen lamp 1500W



Fig. 4: With the IHUB universal bracket IH can also be directed sideways. IH can also be mounted on, for example, a windbreak using the IHUB universal bracket.



Fig. 5: The IHXH and IHXL extension brackets offer flexible installations.



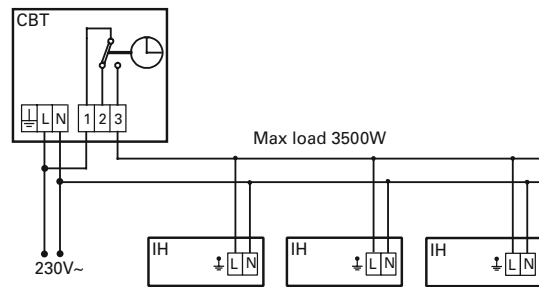
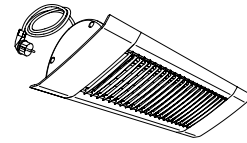
Fig. 6: The IHT triple bracket can be suspended by wires or attached to an IHP post.



Fig. 7: IHP post secured to the floor.

Wiring diagrams

Timer control



Timer control with contactor

