

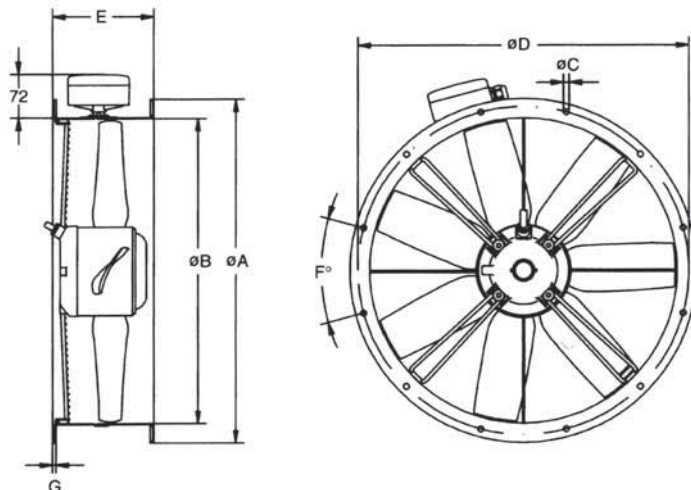
ZAC/ZSC/AR Short cased axial fans

by Ziehl Abegg

- Sickle & aerofoil bladed fans, 200mm to 630mm
- Fan - single phase, 230V - 1Ph - 50Hz
- Diecast aluminium impellers (AR type Steel)
- Insulation class 'F' IP54 (AR type IP44)
- Operating range -40°C to 70°C
- Thermal protection 'TK'
- Galv steel casing with flanges
- Corrosion resistant paint ZAC/ZSC pebble Grey, (AR type Black)
- Inlet guard
- IP54 terminal box
- Maintenance free, sealed for life bearings



| Single Phase Product Code | Speed rpm | Airflow m ³ /sec @ Static Pressure Pa | | | Motor Data | | | Weight Kg | dBA @ 3m | Speed Control | |
|------------------------------|--------------|--|--------|--------|------------|------|------|--------------|-------------|---------------|----------|
| | | 50 Pa | 100 Pa | 125 Pa | FLC | SC | kW | | | Elec | Trans |
| AR200-E2-K | 2600 | 0.216 | 0.109 | 0.06 | 0.3 | 0.9 | 0.06 | 2.7 | 45 | SC 1,5 | RE 1,5 |
| AR200-E4-K | 1370 | 0.018 | - | - | 0.21 | 0.6 | 0.03 | 2.5 | 41 | SC 1,5 | RE 1,5 |
| AR250-E2-K | 2500 | 0.42 | 0.28 | 0.07 | 0.53 | 1.5 | 0.15 | 3.9 | 60 | SC 1,5 | RE 1,5 |
| AR250-E4-K | 1400 | 0.073 | - | - | 0.21 | 0.6 | 0.04 | 3.5 | 44 | SC 1,5 | RE 1,5 |
| AR300-E2-K | 2700 | 0.83 | 0.75 | 0.7 | 1.1 | 3.5 | 0.23 | 5.0 | 63 | SC 1,5 | RE 1,5 |
| AR300-E4-K | 1390 | 0.36 | - | - | 0.32 | 1.0 | 0.07 | 4.9 | 49 | SC 1,5 | RE 1,5 |
| ZAC315-21 | 2650 | 0.985 | 0.92 | 0.881 | 2.1 | 6.0 | 0.47 | 10.2 | 61 | N/A | RE 3,0 |
| ZSC315-41 | 1400 | 0.5 | - | - | 0.59 | 1.5 | 0.13 | 6.5 | 46 | SC 1,5 | RE 1,5 |
| ZSC350-41 | 1400 | 0.739 | 0.52 | - | 0.9 | 2.5 | 0.2 | 7.5 | 49 | SC 1,5 | RE 1,5 |
| ZSC400-41 | 1320 | 1.143 | 0.888 | 0.626 | 1.35 | 2.9 | 0.31 | 10.3 | 51 | SC 3,0 | RE 3,0 |
| ZSC450-41 | 1310 | 1.805 | 1.509 | 1.31 | 2.8 | 7.0 | 0.61 | 15.8 | 55 | SC 3,0 | RE 3,0 |
| ZSC450-61 | 910 | 0.98 | - | - | 0.91 | 2.1 | 0.21 | 14.0 | 48 | SC 1,5 | RTRE 1,5 |
| ZSC500-41 | 1210 | 2.248 | 1.876 | 1.61 | 3.4 | 7.4 | 0.77 | 16.6 | 53 | SC 3,0 | RTRE 3,0 |
| ZSC500-61 | 890 | 1.354 | - | - | 1.25 | 2.4 | 0.29 | 14.4 | 47 | SC 1,5 | RTRE 1,5 |
| ZAC560-41 | 1300 | 3.338 | 3.027 | 2.875 | 7.5 | 15.0 | 1.6 | 25.0 | 68 | N/A | RTRE 7 |
| ZAC560-61 | 880 | 1.923 | - | - | 1.95 | 4.6 | 0.43 | 16.5 | 55 | SC 3,0 | RTRE 3,0 |
| ZAC630-61 | 880 | 2.77 | - | - | 2.7 | 5.3 | 0.6 | 19.8 | 59 | SC 3,0 | RTRE 3,0 |



ZAC/ZSC Short cased axial fans

by Ziehl Abegg

- Sickle & aerofoil bladed fans 315mm to 1000mm
- Fan - three phase, 400V - 3Ph - 50Hz
- Diecast aluminium impellers
- Insulation class 'F' IP54
- Operating range -40°C to 70°C
- Thermal protection 'TK'
- Galv steel casing with flanges
- Corrosion resistant paint ZSC/ZAC pebble grey
- Inlet guard
- IP54 terminal box
- Maintenance free, sealed for life bearings



| Three Phase Product Code | Speed | Airflow m ³ /sec @ Static Pressure Pa | | | Motor Data | | | dBA @ 3m | Speed Control Trans |
|-----------------------------|-------|--|--------|--------|------------|------|------|-------------|------------------------|
| | rpm | 50 Pa | 100 Pa | 125 Pa | FLC | SC | kW | | |
| ZSC315-43 | 1410 | 0.504 | - | - | 0.29 | 1.0 | 0.12 | 46 | RTRD 2 |
| ZSC350-43 | 1360 | 0.71 | 0.472 | - | 0.35 | 1.0 | 0.18 | 48 | RTRD 2 |
| ZSC400-43* | 1300 | 1.11 | 0.842 | 0.515 | 0.48 | 1.35 | 0.27 | 50 | RTRD 2 |
| ZSC400-63* | 970 | 0.716 | - | - | 0.29 | 0.78 | 0.18 | 46 | RTRD 2 |
| ZSC450-43* | 1340 | 1.867 | 1.577 | 1.4 | 1.15 | 3.7 | 0.61 | 56 | RTRD 2 |
| ZSC450-63* | 1000 | 1.318 | - | - | 0.72 | 1.25 | 0.41 | 50 | RTRD 2 |
| ZSC500-43* | 1340 | 2.46 | 2.164 | 1.976 | 1.35 | 4.7 | 0.78 | 56 | RTRD 2 |
| ZSC500-63* | 1000 | 1.75 | - | - | 0.94 | 1.6 | 0.55 | 49 | RTRD 2 |
| ZAC560-43 | 1300 | 3.1 | 2.66 | 2.405 | 1.8 | 7.0 | 1.0 | 63 | RTRD 4 |
| ZAC560-63 | 860 | 1.838 | - | - | 0.81 | 1.75 | 0.39 | 55 | RTRD 2 |
| ZAC630-43 | 1360 | 4.85 | 4.49 | 4.27 | 3.2 | 14.0 | 1.9 | 70 | RTRD 4 |
| ZAC630-63 | 880 | 2.826 | - | - | 1.5 | 3.6 | 0.7 | 60 | RTRD 2 |
| ZAC710-43 | 1350 | 6.53 | 6.18 | 5.99 | 4.9 | 23.0 | 2.9 | 70 | RTRD 7 |
| ZAC710-63 | 890 | 4.11 | 3.29 | - | 1.8 | 6.4 | 0.89 | 62 | RTRD 2 |
| ZAC800-63 | 900 | 5.75 | 4.85 | 4.1 | 2.7 | 9.8 | 1.4 | 62 | RTRD 4 |
| ZAC800-83 | 680 | 3.82 | - | - | 1.8 | 5.5 | 0.72 | 55 | RTRD 2 |
| ZAC1000-63 | 935 | 13.33 | 12.71 | 12.35 | 10.5 | 67.0 | 5.5 | 78 | Inverter |
| ZAC1000-83 | 670 | 8.72 | 7.62 | 6.72 | 4.2 | 13.0 | 2.2 | 66 | RTRD 7 |

* 4 Pole fan with two speed motor. Pre-wired Delta for high speed (4 pole).
Change to Star configuration for 6 pole speed.

Cased axial dimensions

| Size | ØA | ØB | ØC | ØD | E | ØF | G | kg |
|------|------|------|------|------|-----|----|----|------|
| 200 | 255 | 204 | 7 | 235 | 85 | 8 | 6 | 2,7 |
| 250 | 306 | 252 | 7 | 286 | 95 | 8 | 6 | 3,9 |
| 300 | 382 | 317 | 7 | 356 | 130 | 8 | 6 | 5 |
| 315 | 382 | 317 | 9,5 | 356 | 135 | 8 | 6 | 6,5 |
| 350 | 421 | 356 | 9,5 | 395 | 135 | 8 | 6 | 7,5 |
| 400 | 466 | 400 | 9,5 | 438 | 155 | 12 | 6 | 10,3 |
| 450 | 515 | 451 | 9,5 | 487 | 160 | 12 | 6 | 15,8 |
| 500 | 567 | 503 | 9,5 | 541 | 165 | 12 | 6 | 16,6 |
| 560 | 635 | 559 | 11,5 | 605 | 210 | 16 | 8 | 25 |
| 630 | 707 | 634 | 11,5 | 674 | 220 | 16 | 8 | 29 |
| 710 | 785 | 711 | 11,5 | 751 | 260 | 16 | 10 | 45 |
| 800 | 875 | 797 | 11,5 | 837 | 280 | 24 | 10 | 39 |
| 1000 | 1080 | 1001 | 11,5 | 1043 | 330 | 24 | 5 | 92 |

NOTE

Ancillary Packs available including:

- Mounting feet
- Flex conns
- Flanges
- Anti Vib Mounts
- Clips

Order Code:

AR ("Size") PK
e.g. AR 250 PK