

## RA / RAW Roof mounted axial fans

by Systemair

- Cowl & base complete with axial fan, 200mm to 1000mm
- Fan - single phase, 230V - 1Ph - 50Hz
- Fan - three phase, 400V - 3Ph - 50Hz
- Glass fibre cowl & base (choice of designs)
- Colour RAL7035 (others available)
- Complete with plate mounted axial fan (supplied loose)
- Can be wired in reverse for input air, performance reduced by up to 30%
- Vertical discharge cowls available



### Single Phase

Product Code	Speed rpm	Airflow m <sup>3</sup> /sec @ Static Pressure Pa			Motor Data			dBA @ 3m	Curb Size Ext/Int Sq	Speed control	
		0Pa	50Pa	100Pa	FLC	SC	kW			Elec	Trans
RA200-21	2600	0.22	0.18	0.08	0.32	1.28	0.071	56	425/325	SC1.5	RE1.5
RA200-41	1400	0.11	0.03	-	0.062	0.248	0.016	39	425/325	SC1.5	RE1.5
RA250-21	2500	0.44	0.38	0.21	0.6	2.4	0.14	61	425/325	SC1.5	RE1.5
RA250-41	1400	0.22	0.14	-	0.21	0.6	0.04	47	425/325	SC1.5	RE1.5
RA300-21	2700	0.87	0.75	0.65	1.1	2.7	0.23	62	485/385	SC1.5	RE1.5
RA300-41	1390	0.5	0.38	-	0.32	1.1	0.07	48	485/385	SC1.5	RE1.5
RA315-41	1400	0.55	0.43	-	0.59	1.5	0.13	49	485/385	SC1.5	RTRE1.5
RA350-41	1400	0.74	0.62	0.50	0.9	2.5	0.2	52	625/425	SC1.5	RTRE1.5
RA400-41	1320	1.06	0.88	0.71	1.35	2.9	0.31	54	725/525	SC3.0	RTRE3.0
RA450-41	1310	1.42	1.25	1.04	2.8	7.0	0.61	58	725/525	SC3.0	RTRE3.0
RA500-41	1210	1.97	1.71	1.48	3.4	7.4	0.77	56	885/685	-	RTRE5
RA560-41	1300	2.31	2.10	1.53	7.5	15.0	1.6	71	885/685	-	RTRE7
RA630-61	880	2.57	1.94	-	1.95	4.6	0.43	62	985/785	SC3.0	RTRE3
RA710-61	880	2.95	2.30	-	2.7	5.3	0.6	64	985/785	SC3.0	RTRE5

### Three Phase

Product Code	Speed rpm	Airflow m <sup>3</sup> /sec @ Static Pressure Pa.			Motor Data			dBA @ 3m	Curb size Ext/Int Sq	Speed control
		0Pa	50Pa	100Pa	FLC	SC	kW			Trans
RA315-43	1410	0.55	0.44	0.34	0.29	1.0	0.12	52	485/385	RTRD2
RA350-43	1360	0.70	0.59	0.48	0.35	1.0	0.18	54	625/425	RTRD2
RA400-43*	1300	1.03	0.83	0.67	0.48	1.4	0.27	57	725/525	RTRD2
RA450-43*	1340	1.41	1.25	1.10	1.15	3.7	0.61	62	725/525	RTRD2
RA500-43*	1340	2.05	1.82	1.60	1.35	4.7	0.78	62	885/685	RTRD2
RA560-43	1300	2.30	2.02	1.50	1.8	7.0	1.0	66	885/685	RTRD4
RA630-43	1360	3.71	3.47	3.10	3.2	14.0	1.9	73	985/785	RTRD4
RA630-63	880	2.57	1.92	-	1.5	3.6	0.7	63	985/785	RTRD2
RA710-43	1350	5.88	5.55	5.18	4.9	23.0	2.9	75	985/785	RTRD7
RA710-63	890	3.03	2.35	1.58	1.8	6.4	0.89	65	985/785	RTRD2
RA800-63	900	4.69	4.20	3.50	2.7	9.8	1.4	65	1100/900	RTRD4
RA800-83	680	3.59	2.91	-	1.8	5.5	0.72	58	1100/900	RTRD2
RA1000-63	935	11.10	10.51	9.70	10.5	67.0	5.5	81	1300/1100	INV
RA1000-83	670	7.25	6.30	4.31	4.2	13.0	2.2	69	1300/1100	RTRD7
RA1000-103	530	5.20	3.80	-	2.7	9.5	1.25	65	1300/1100	RTRD4

\*4 Pole fan with two speed motor. Pre-wired Delta for high speed (4 pole). Change to Star configuration for 6 pole speed.

## RA Roof Cowl Dimensions

RA horizontal discharge roof cowls from Systemair are manufactured from glass reinforced plastic, with an ultra violet stabiliser and are precision moulded to provide a durable unit for the severest weather conditions without deterioration of finish.

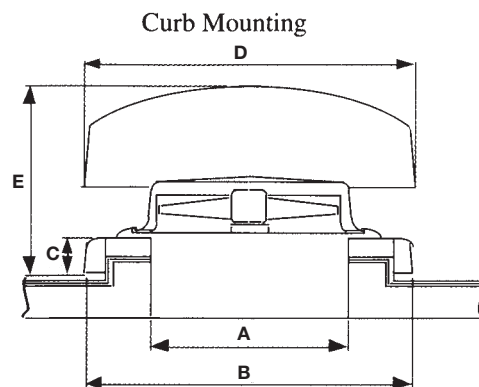
The standard colour finish is RAL 7035, but any B.S. or RAL colour can be provided if required.

A full range of ancillary items are available, including: bird guards, back draught shutters, purlin boxes and soaker sheets. RA roof fans are suitable for extract and supply air.

\* Weight of RA shown in the chart includes an AW1 plate fan.



Model ref.	A sq.	B sq.	C	D sq.	E	Weight kg*
RA200	325	450	90	490	310	18
RA250	325	450	90	490	310	18
RA300	400	510	90	555	340	20
RA315	400	510	90	555	340	20
RA350	400	650	90	675	380	22
RA400	500	750	90	765	460	26
RA450	500	750	90	765	460	29
RA500	650	910	120	995	550	44
RA560	650	910	120	995	550	47
RA630	790	1010	120	1115	650	70
RA710	790	1010	120	1115	650	73
RA800	900	1165	100	1410	750	65
RA1000	1100	1360	80	1650	750	100 - 140



- Bird guard fitted as standard
- Air operated shutter available - Ref BDS ("size of cowl")

See page 130 for RAL colour chart options