

## RA Roof Cowl Dimensions

RA horizontal discharge roof cowls from Systemair are manufactured from glass reinforced plastic, with an ultra violet stabiliser and are precision moulded to provide a durable unit for the severest weather conditions without deterioration of finish.

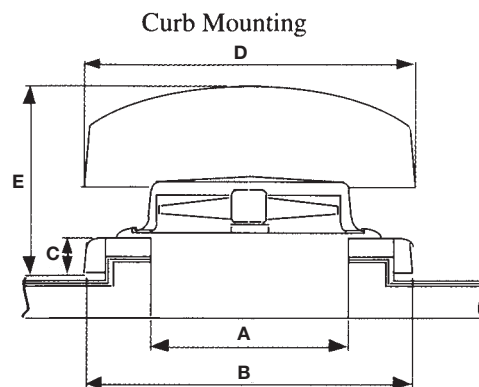
The standard colour finish is RAL 7035, but any B.S. or RAL colour can be provided if required.

A full range of ancillary items are available, including: bird guards, back draught shutters, purlin boxes and soaker sheets. RA roof fans are suitable for extract and supply air.

\* Weight of RA shown in the chart includes an AW1 plate fan.



Model ref.	A sq.	B sq.	C	D sq.	E	Weight kg*
RA200	325	450	90	490	310	18
RA250	325	450	90	490	310	18
RA300	400	510	90	555	340	20
RA315	400	510	90	555	340	20
RA350	400	650	90	675	380	22
RA400	500	750	90	765	460	26
RA450	500	750	90	765	460	29
RA500	650	910	120	995	550	44
RA560	650	910	120	995	550	47
RA630	790	1010	120	1115	650	70
RA710	790	1010	120	1115	650	73
RA800	900	1165	100	1410	750	65
RA1000	1100	1360	80	1650	750	100 - 140



- Bird guard fitted as standard
- Air operated shutter available - Ref BDS ("size of cowl")

See page 130 for RAL colour chart options